

## DH-HAC-HFW2220S

2.4Megapixel 1080P Water-proof IR HDCVI Camera



### Features

- 1/2.8" 2.4Megapixel CMOS
- 25/30fps@1080P, 25/30/50/60fps@720P
- High speed, long distance real-time transmission
- HD and standard definition switchable
- OSD Menu, control over coaxial cable
- Day/Night(ICR), AWB, AGC, BLC, 3D-DNR
- 6mm fixed lens (3.6mm, 8mm optional)
- Max. IR LEDs length 30m, Smart IR
- IP66, DC12V

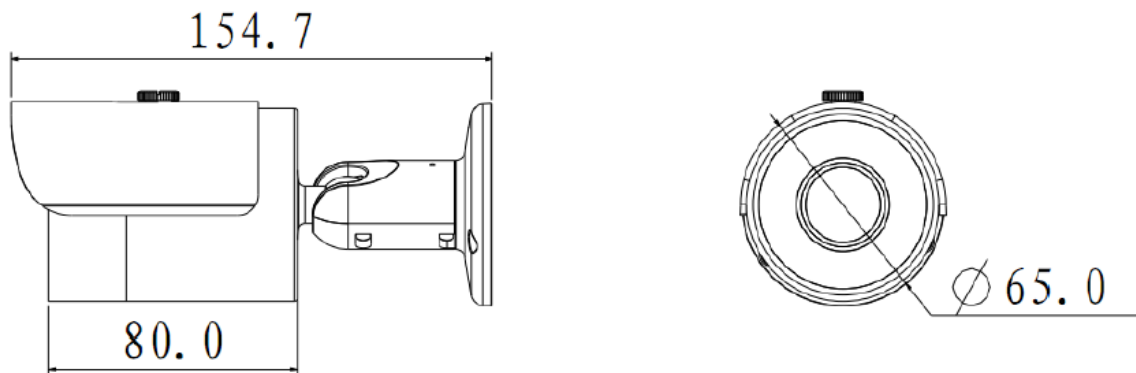
## DH-HAC-HFW2220S

### Technical Specifications





Model	DH-HAC-HFW2220SP	DH-HAC-HFW2220SN
<b>Camera</b>		
Image Sensor	1/2.8" 2.4Megapixel CMOS	
Effective Pixels	1984(H)×1225(V)	
Electronic Shutter	1/3s~1/100,000s	
Video Frame Rate	25/30/50/60fps@720P; 25/30fps@1080P	
Synchronization	Internal	
Min. Illumination	0.05Lux@F1.2(AGC ON), 0Lux IR on	
Video Output	1-channel BNC HDCVI high definition video output/ CVBS standard definition video output (Can switch)	
<b>Camera Features</b>		
Max. IR LEDs Length	30m, Smart IR	
Day/Night	Auto(ICR) / Color / B/W	
Noise Reduction	2D/3D	
OSD Menu	Support	
<b>Lens</b>		
Focal length	3.6mm	
Angle of View	88°	
Mount Type	M12	
<b>General</b>		
Power Supply	DC12V±10%	
Power Consumption	Max 4.8W	
Working Environment	-30°C~+60°C / Less than 95%RH (no condensation)	
Transmission Distance	Over 300m via 75-3 coaxial cable	
Ingress Protection	IP66	
Dimensions(W×D×H)	Φ65mm×154.7mm	
Weight	0.38kg	
Others	Default: bracket included	

# DH-HAC-HFW2220S

## Dimensions (mm)



## Accessories (optional)

			
PFA130	PFA122	PFA150	PFA152

### Dahua Technology Co., Ltd.

1187 BinAn Road, Binjiang District, Hangzhou, China

Tel: +86-571-87688883

Fax: +86-571-87688815

Email: [overseas@dahuatech.com](mailto:overseas@dahuatech.com)

[www.dahuasecurity.com](http://www.dahuasecurity.com)

\*Design and specifications are subject to change without notice.

© 2013 Dahua Technology Co., Ltd.