

DH-PFM800-4K

1-CH Passive Video Balun



Features

- Real-time transmission over UTP CAT5E/6 cable;
- Passive, no need for power supply;
- Excellent anti-thunder, anti-static and anti-interference capabilities;
- Compatible format: HDCVI/TVI/AHD/CVBS;
- With female BNC connector, and pluggable screw terminal connections.

Technical Specification

Model DH-PFM800-4K

Properties

| | | | | |
|-------------------------|----------------------------|--------------------------------|--------------------------------|-----------------------------------|
| Transmission Signal | 1-CH | | | |
| Network cable Type | UTP CAT5E/6 (material: CU) | | | |
| Transmission Properties | HDCVI | 720P : max.400m (1312.34ft) | 1080P : max.250m (820.21ft) | 4M/6M/4K : max.200m (656.17ft) |
| | TVI | 720P : max.400m (1312.34ft) | 1080P : max.250m (820.21ft) | 4M/5M : max.200m (656.17ft) |
| | AHD | 720P : max.400m (1312.34ft) | 1080P : max.250m (820.21ft) | 4M/5M : max.200m (656.17ft) |

Video Transmission Properties

| | |
|-------------------------|-----------------------|
| Coaxial Video Connector | BNC-M |
| Connection Way | RJ45 |
| Compatible Format | HDCVI/TVI/AHD/CVBS |
| Resolution | 720P/1080P/4MP/5MP/4K |

Protection

| | |
|---------------------|--|
| ESD | 1a contact discharge electricity level 3 |
| | 1b air discharge electricity level 3 |
| | Per: IEC61000-4-2 |
| UTP Cable Connector | 2KV(different-mode), 4KV(common-mode) |
| | Per: IEC61000-4-5 |

Impedance

| | |
|---------------------|----------|
| BNC Male Impedance | 75 ohms |
| UTP Cable Impedance | 100 ohms |

Physical Properties

| | |
|------------------|---|
| Weight | 40g (0.09lb) (1 pair) |
| Dimension(LxWxH) | 173.8mmx19.5mmx21mm (6.84"x0.77"x0.83") |
| Shell | ABS |
| Color | Black |

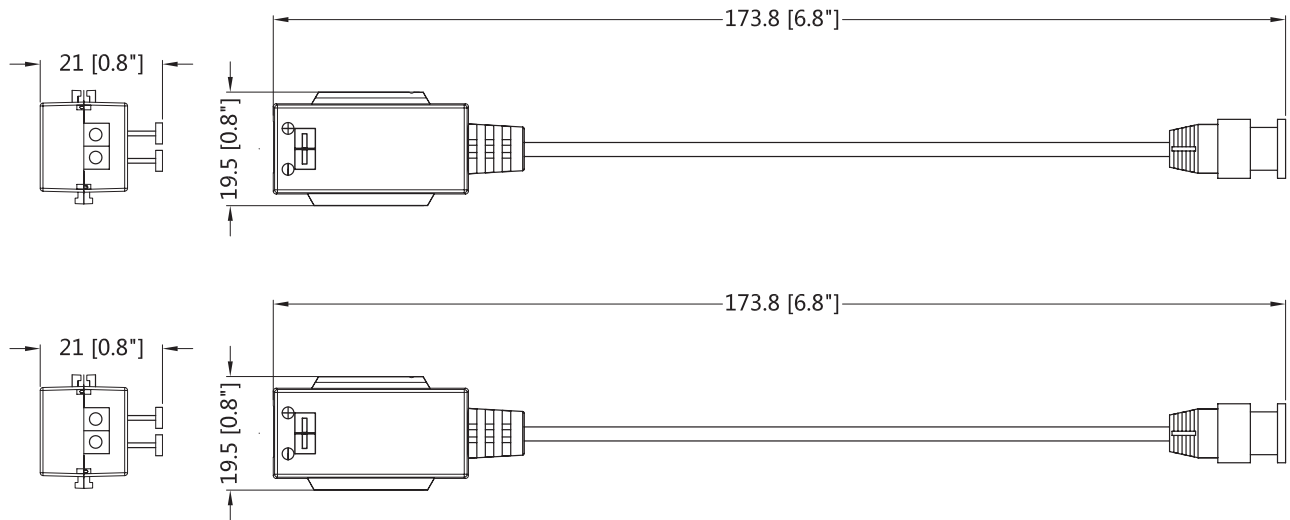
Environmental

| | |
|-----------------------|-----------------------------------|
| Operating Temperature | -30 °C ~+70 °C (-22 °F ~+158 °F) |
| Operating Humidity | <95% RH |
| Storage Temperature | -40 °C ~+80 °C (-40 °F ~+176 °F) |

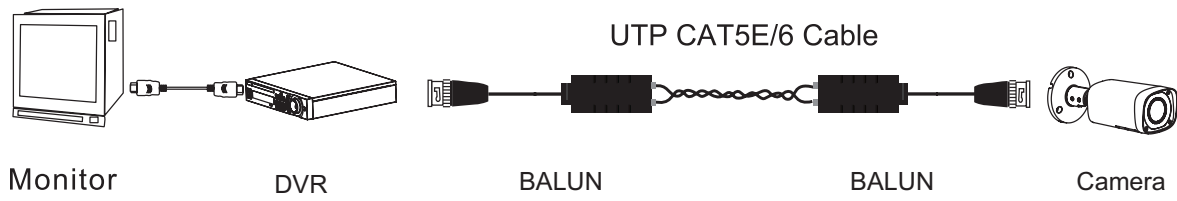
Ordering Information

| Type | Part Number | Description |
|---------------------|---------------------|---------------------------------|
| HDCVI Accessories | PFM800-E | 1-CH passive HDCVI balun |
| | PFM800-4MP | 1-CH passive HDCVI balun |
| | DH-PFM800-4K | 1-CH passive video balun |
| | PFM800-4K | 1-CH passive video balun |
| | DH-PFM800B-4K | 1-CH passive video balun |
| | PFM800B-4K | 1-CH passive video balun |
| | PFM809-4MP | 16-CH passive HDCVI Balun |
| Related Accessories | PFM920I-5EUN | 305m UTP CAT5E cable |
| | PFM920I-5EU-C/U | 305m UTP CAT5E cable |
| | PFM920I-6UN-C/U | 305m UTP CAT6 cable |
| | PFM920I-6U-C/U | 305m UTP CAT6 cable |

Dimension(mm/inch)



Application



Package Information

- 1-CH passive video balun DH-PFM800-4K *1