

Keyboard Panel

PTZKB833



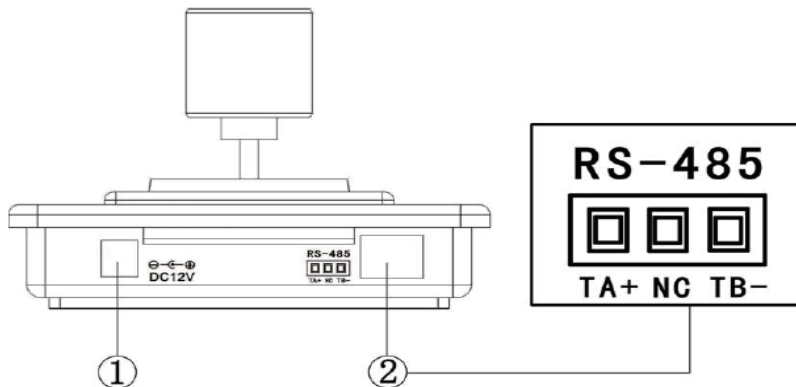
Properties

Communication between Speed Dome Camera and Controller	Port to multi-port and half duplex function
Baud Rate of Communication	2400bps/4800bps/9600bps
Communication connector	RS485
Communication distance	1.2km

General

Power Supply	DC12±1V/0.5A
Power Consumption	≤ 0.8W
Working Humidity	20 % to 80 %
Working Temperature	0 C~40 C (-32° F to + 104° F)
Dimensions (WxDxH)	130×64×190mm(5.1"×2.5"×7.5")
Weight	0.53Kg(1.17lb)

Rear Panel



- 1- Power input connector: input DC12V power.
- 2- Communication connector RS485

©2016 LT Security , Inc. All Rights Reserved. White papers, data sheets, quick start guides, and/or user manuals are for reference only and may or may not be entirely up to date or accurate based upon the version or models. Product names mentioned herein may be the unregistered and/or registered trademarks of their respective owners.

