

4K HDCVI Security System

Eight (8) 5 MP and Four (4) 4K HDCVI Eyeball Cameras with One (1) 16-channel 4K HDCVI DVR

HDCVI



System Overview

The Dahua HDCVI Security System provides all the components to quickly install, configure, and employ a complete video surveillance solution. The HDCVI cameras offer the clarity of 4K video, and the HDCVI DVR offers built-in motion detection algorithms, alarm triggers, and customized recording modes. The cameras and the HDCVI DVR supports multiple video outputs making the kit compatible with many existing systems. The kit features Dahua's HDCVI technology that leverages an existing coaxial infrastructure, saving time and costs from running networking and power cables.

Functions

Long Distance Transmission

HDCVI technology guarantees real-time transmission over long distances without loss of video quality. HDCVI cameras provide the same resolution as most IP network camera systems using existing RG-59, RG-6, or CAT 6 UTP cabling.

Simplicity

HDCVI technology seamlessly integrates traditional analog surveillance systems with upgraded, high-quality HD video, making it the best choice to protect security investments. The plug and play approach enables full HD video surveillance without the hassles of configuring a network.

Smart IR

With IR illumination, detailed images can be captured in low light or total darkness. The camera's Smart IR technology adjusts the intensity of camera's infrared LEDs to compensate the distance of an object. Smart IR technology prevents IR LEDs from whitening out images as they come closer to the camera. The camera's integrated infrared illumination provides high performance in extreme low-light environments.

5 MP HDCVI Cameras

- 5 MP¹ at 20 fps Maximum Resolution
- 2.8 mm Fixed Lens
- Maximum IR Length: 30 m (98 ft) with Smart IR
- IP67 Ingress Protection

4K HDCVI Cameras

- 8 MP at 15 fps Maximum Resolution
- 2.8 mm Fixed Lens
- Maximum IR Length: 50 m (164 ft) with Smart IR
- IP67 Ingress Protection

4K HDCVI DVR

- 16 Channel Penta-brid Recorder, Support for 8 + 8 IP Channels
- Smart H.265+ and Smart H.264+ Dual Codec
- 4K at 7 fps Recording Resolution on all HDCVI Channels
- Automatically Detects HDCVI, AHD, TVI, and CVBS Inputs

Intelligent Video System (IVS)

The HDCVI DVR offers IVS, a built-in video analytic algorithm that delivers standard intelligent functions to monitor a scene for Tripwire violations, intrusion detection, and abandoned or missing objects. IVS quickly and accurately responds to monitoring events in a specific area. In addition, the HDCVI DVR feature face detection technology that identifies human faces in digital images.

Smart H.265+

The HDCVI DVR uses Smart H.265+ video compression to reduce bit rate and storage requirements by up to 70% when compared to standard H.265 video compression. Smart H.265+ is the optimized implementation of the H.265 codec that uses a scene-adaptive encoding strategy, dynamic GOP, dynamic ROI, flexible multi-frame reference structure and intelligent noise reduction to deliver high-quality video without straining the network.

Multi-format Support

The camera and HDCVI DVR supports multiple video formats including, HDCVI, CVBS, AHD, and TVI. The camera can switch between these four formats via the OSD menu or the switch located on the video output cable making the camera compatible with not only HDCVI DVRs but also most existing HD/SD DVRs. The HDCVI DVR automatically recognizes the incoming signals of each attached camera without any setup, making installation easy and operation convenient.

Environmental

With a built-in heater and a temperature range of -40°C to $+60^{\circ}\text{C}$ (-40°F to $+140^{\circ}\text{F}$), the cameras are designed for extreme temperature environments. The cameras, subjected to rigorous dust and water immersion tests, are certified to the IP67 rating making them suitable for demanding outdoor applications.

The HDCVI DVR features an operating temperature of -10°C to $+55^{\circ}\text{C}$ ($+14^{\circ}\text{F}$ to $+131^{\circ}\text{F}$).

Technical Specification

A511K02 HDCVI Camera

Camera

Image Sensor	1/2.7-in. CMOS
Effective Pixels	2592 (H) x 1944 (V), 5 MP
Scanning System	Progressive
Electronic Shutter Speed	1/30 s to 1/100000 s
Minimum Illumination	Color: 0.02 Lux at F1.85 (30 IRE) 0 Lux with IR on
S/N Ratio	More than 65 dB
IR Distance	Up to 30 m (98.04 ft)
IR On/Off Control	Auto, Manual
IR LEDs	12

Lens

Lens Type	Fixed Lens / Fixed Iris
Mount Type	Board-in
Focal Length	2.8 mm
Max Aperture	F1.85
Horizontal Angle of View	103°
Close Focus Distance	900 mm (35.43 in.)

DORI² Distance

Detect (8 ppf)	Observe (19 ppf)	Recognize (38 ppf)	Identify (76 ppf)
63 m (207 ft)	25 m (82 ft)	13 m (43 ft)	6 m (20 ft)

Installation Angle

Range	Pan: 0° to 360° Tilt: 0° to 90° Rotation: 0° to 360°
-------	--

Video

Resolution ¹	5 MP (2592 x 1944)
Frame Rate	5 MP at 20 fps, 4 MP at 30 fps, 1080p at 30 fps
Video Output	One (1) BNC HDCVI High-definition Channel or One (1) BNC CVBS, AHD or TVI Channel, switchable
Video Transmission ³	RG-59/U Coax 720p: 800 m (2624.67 ft) 1080p: 500 m (1640.42 ft) 4 MP: 500 m (1640.42 ft)
	RG-6/U Coax 720p: 1200 m (3937.01 ft) 1080p: 800 m (2624.67 ft) 4 MP: 700 m (2296.59 ft)
	CAT 6 UTP (balun required) 720p: 450 m (1476.38 ft) 1080p: 300 m (984.25 ft) 4 MP: 300 m (984.25 ft)
Day/Night	Auto (ICR), Manual
OSD Menu	Multi-language
BLC Mode	BLC, HLC, DWDR
WDR	Digital WDR
Gain Control	AGC
Noise Reduction	2D
White Balance	Auto, Manual
Smart IR	Auto, Manual

Certifications

Safety	EN55032, EN55024, EN50130-4 UL60950-1+CAN/CSA C22.2 No.60950-1
Electromagnetic Compatibility (EMC)	FCC CFR 47 FCC Part 15 Subpart B ANSI C63.4-2014

Electrical

Power Supply	12 VDC ±30%
Power Consumption	Maximum 3.6 W (12 VDC with IR on)

Environmental

Operating Conditions	-40° C to +60° C (-40° F to +140° F), Less than 95% RH Initiate startup above -40° C (-40° F)
Storage Conditions	-40° C to +60° C (-40° F to +140° F), Less than 95% RH
Ingress Protection	IP67

Construction

Casing	Aluminium
Dimensions	ø93.40 mm x 79.40 mm (ø3.68 in. x 3.13 in.)
Net Weight	0.28 kg (0.62 lb)
Gross Weight	0.38 kg (0.84 lb)

1. Default camera resolution is set to 4 MP. The camera is capable of transmitting 5 MP video. Use the OSD menu to change the camera's resolution to 5 MP.

Technical Specification

A82AG52 4K HDCVI Camera

Camera

Image Sensor	1/2-in. CMOS
Effective Pixels	3840 (H) x 2160 (V), 8 MP
Scanning System	Progressive
Electronic Shutter Speed	1/30 s to 1/100000 s
Minimum Illumination	Color: 0.005 Lux at F1.6 (30 IRE) 0 Lux with IR on
S/N Ratio	More than 65 dB
IR Distance	Up to 50 m (164.04 ft)
IR On/Off Control	Auto, Manual
IR LEDs	Two (2)

Lens

Lens Type	Fixed Lens / Fixed Iris
Mount Type	Board-in
Focal Length	2.8 mm
Max Aperture	F1.6
Horizontal Angle of View	87°
Focus Control	Auto, Manual
Close Focus Distance	1800 mm (70.87 in.)

DORI² Distance

Detect (8 ppf)	Observe (19 ppf)	Recognize (38 ppf)	Identify (76 ppf)
84 m (276 ft)	34 m (112 ft)	17 m (56 ft)	8 m (27 ft)

Installation Angle

Range	Pan: 0° to 360° Tilt: 0° to 70° Rotation: 0° to 360°
-------	--

Video

Resolution	8 MP (3840 x 2160)	
Frame Rate	HDCVI	8 MP at 15 fps, 6 MP at 20 fps, or 4 MP at 30 fps
	TVI	5 MP at 20 fps 4 MP at 30 fps
	AHD	5 MP at 20 fps 4 MP at 30 fps
	CVBS	960H
Video Output	One (1) BNC HDCVI 4K Ultra High-definition Channel or One (1) BNC CVBS, AHD or TVI Channel, switchable	

Video Transmission ³	RG-59/U Coax	720p: 800 m (2624.67 ft) 1080p: 500 m (1640.42 ft) 4K: 500 m (1640.42 ft)
	RG-6/U Coax	720p: 1200 m (3937.01 ft) 1080p: 800 m (2624.67 ft) 4K: 700 m (2296.59 ft)
	CAT 6 UTP (balun required)	720p: 450 m (1476.38 ft) 1080p: 300 m (984.25 ft) 4K: 300 m (984.25 ft)
Day/Night	Auto (ICR), Manual	
OSD Menu	Multi-language	
BLC Mode	BLC, HLC, WDR	
WDR	True WDR (120 dB)	
Gain Control	AGC	
Noise Reduction	2D, 3D	
White Balance	Auto, Manual	
Smart IR	Auto, Manual	

Certifications

Safety	EN55032, EN55024, EN50130-4 UL60950-1+CAN/CSA C22.2 No.60950-1
Electromagnetic Compatibility (EMC)	FCC CFR 47 FCC Part 15 Subpart B ANSI C63.4-2014

Interface

Audio	Input: One (1) Channel, RCA Jack, and One(1) Built-in Microphone
-------	---

Electrical

Power Supply	12 VDC ±30%
Power Consumption	Maximum 8 W (12 VDC with IR on)

Environmental

Operating Conditions	-30° C to +60° C (-22° F to +140° F), Less than 90% RH Initiate startup above -30° C (-22° F)
Storage Conditions	-30° C to +60° C (-22° F to +140° F), Less than 90% RH
Ingress Protection	IP67

Construction

Casing	Aluminium
Dimensions	ø106.0 mm x 99.20 mm (ø4.17 in. x 3.90 in.)
Net Weight	0.50 kg (1.10 lb)
Gross Weight	0.62 kg (1.37 lb)

2. The DORI distance is a measure of the general proximity for a specific classification to help pinpoint the right camera for your needs. The DORI distance is calculated based on sensor specifications and lab test results according to EN 62676-4, the standard that defines the criteria for the Detect, Observe, Recognize and Identify classifications.

3. Transmission distance results verified by real-scene testing in Dahua's test laboratory. Actual transmission distances may vary due to external influences, cable quality, and wiring structures.

Technical Specification**X72A3A4 4K HDCVI DVR**

System

Main Processor	Embedded Processor
Operating System	Embedded LINUX

Interface

Analog Camera Input	16 Channels, BNC
HDCVI	8 MP, 6 MP, 4 MP, 1080p at 30 fps, 720p at 60 fps, 720p at 30 fps
AHD	5 MP, 4 MP, 3 MP, 1080p at 30 fps, 720p at 30 fps
TVI	5 MP, 4 MP, 3 MP, 1080p at 30 fps, 720p at 30 fps
CVBS	NTSC
IP Camera Input	16+16 Channels, each channel up to 8 MP
Audio	Input: Four (4) Channels, RCA Output: One (1) Channel, RCA
Two-way Talk	Reuse Audio In/Out, RCA

Recording

Compression	Smart H.265+, H.265, Smart H.264+, H.264	
Recording Resolution	8 MP, 6 MP, 5 MP, 4 MP, 3 MP, 4 M-N (1280 x 1440), 1080p, 720p, 960H, D1, CIF	
Record Rate	Main Stream	8 MP at 7 fps; 6 MP at 10 fps, 5 MP at 12 fps, 4 MP or 3 MP at 15 fps; 4 M-N, 1080p, 720p, 960H, D1, CIF or QCIF at 30 fps
	Sub Stream	960H at 15 fps; D1 or CIF at 30 fps
Maximum Incoming Bandwidth	128 Mbps	
Bit Rate	32 Kbps to 6144 Kbps per Channel	
Record Mode	Manual, Schedule (Regular, Continuous), MD (Video Detection: Motion Detection, Video Loss, Tampering), Alarm, Stop	
Record Interval	1 to 60 minutes (default: 60 minutes), Pre-record: 1 to 30 s, Post-record: 10 to 300 s	
Audio Compression	AAC (first channel only), G.711A, G.711U, PCM	
Audio Sample Rate	8 KHz, 16 bits per Channel	
Audio Bit Rate	64 Kbps per Channel	

Display

Interface	One (1) HDMI (3840 x 2160) One (1) VGA (1920 x 1080)	
Spot Output	HDMI or VGA, configurable	
Native Output Resolution	HDMI	3840 x 2160, 2560 x 1440, 1920 x 1080, 1280 x 1024, 1280 x 720, 1024 x 768
	VGA	1920 x 1080, 1280 x 1024, 1280 x 720
Maximum Decoding	Eight (8) Channels of 4K at 7 fps Eight (8) Channels of 6 MP at 10 fps Eight (8) Channels of 5 MP at 12 fps 16 Channels of 4 MP/3 MP at 7 fps 16 Channels of 4 M-N/1080p at 15 fps 16 Channels of 720p, 960H at 30 fps	
Multi-screen Display	IP extension mode disabled: 1/4/8/9/16 IP extension mode enabled: 1/4/8/9/16/25	
On-screen Display	Camera Title, Time, Video Loss, Camera Lock, Motion Detection, Recording	

Network

Interface	One (1) RJ45 (1000 Mbps) Port
Network Function	HTTP, TCP/IP, IPv4/IPv6, UPnP, RTSP, UDP, SMTP, NTP, DHCP, DNS, IP Filter, PPPoE, DDNS, FTP, Alarm Server, P2P, IP Search (Supports Dahua IP cameras, DVRs, NVS)
Max. User Access	128 Users
Mobile Operating System	IOS, Android
Interoperability	ONVIF 16.12, CGI Conformant

Video Detection and Alarm

Trigger Events	Recording, PTZ, Tour, Video Push, Email, FTP, Snapshot, Buzzer and Screen Tips
Video Detection	Motion Detection, MD Zones: 396 (22 x 18), Video Loss, Tampering and Diagnosis
Alarm Input	16 Channels
Relay Output	Three (3) Channels

Playback and Backup

Playback	1/4/9/16
Search Mode	Time/Date, Alarm, MD and Exact Search (accurate to 1 second)
Playback Function	Play, Pause, Stop, Rewind, Fast Play, Slow Play, Next File, Previous File, Next Camera, Previous Camera, Full Screen, Repeat, Shuffle, Backup Selection, and Digital Zoom
Backup Mode	USB Device/Network

Storage

Internal HDD	Two (2) SATA Ports, up to 10 TB capacity for each disk Unit ships with a pre-installed 4 TB HDD
--------------	--

Auxiliary Interface

USB	One (1) USB 2.0 Port and One (1) USB 3.0 Port
RS485	One (1) Port for PTZ Control

Electrical

Power Supply	12 VDC, 5 A
Power Consumption	< 20 W, without HDD

Construction

Dimensions	
HDCVI DVR	1U, 375.0 mm x 287.15 mm x 53.0 mm (14.80 in. x 11.31 in. x 2.09 in.)
with PFH101 Rack Mount Tray	482.6 mm x 287.15 mm x 53.0 mm (19.0 in. x 11.31 in. x 2.09 in.)
Net Weight	1.80 kg (3.97 lb)
Gross Weight	3.2 kg (7.05 lb)
Installation	Desktop or Rack-mount

Environmental

Operating Conditions	-10° C to +55° C (+14° F to +131° F), 10% to 90% RH
Storage Conditions	-20° C to +70° C (-4° F to +158° F), 0% to 90% RH

Third-party Support

Third-party Support	Dahua, Arecont Vision, AXIS, Bosch, Brickcom, Canon, CP Plus, Dynacolor, Honeywell, Panasonic, Pelco, Samsung, Sanyo, Sony, Videotec, Vivotek, and others
---------------------	---

Certifications

Safety	UL 60950-1 EN 60950-1 IEC 60950-1
Electromagnetic Compatibility (EMC)	FCC Part 15 Subpart B EN 61000-3-2 EN 61000-3-3 EN 55032 EN 50130 EN 55024

Intelligence

The IVS features are operational only when the additional IP channel feature is not active. The HDCVI DVR supports only IVS or the additional IP channel inputs, both features cannot be in use simultaneously. IVS triggers an alarm and takes a defined action for the following events:

Premium Features

Tripwire	A target crosses a user-defined line.
Intrusion	A target enters or exits a defined perimeter.
Abandoned/Missing Object	A target leaves an object in designated area, or a target removes an object from the same designated area.

Advanced Features

Facial Detection	Detects and captures a snapshot of human face in a defined area within a scene.
------------------	---

IVS Feature Availability

The HDCVI DVR supports the following IVS availability:

- Tripwire and Intrusion available on all 16 channels.
- Abandoned and Missing Object available on channel 1 through 4.
- Facial Detection available on one channel.

Ordering Information

Type	Part Number	Description
4K HDCVI Security System	C7168E124	<ul style="list-style-type: none"> • 8 x 5 MP HDCVI IR Eyeball Cameras • 4 x 4K HDCVI IR Eyeball Cameras • 1 x 16-channel 4K HDCVI DVR, 4 TB
	PFA13A-E	Junction Box (For use alone)
5 MP Camera Accessories, optional	PFA152-E	Pole Mount (For use with PFB204W wall mount)
	PFB204W	Wall Mount (For use alone or with PFA152-E pole mount)
	DH-PFM320D-015	12 VDC 2 A Power Adapter
	DH-PFM321D-US	12 VDC, 1 A Power Adapter
	DH-PFM800-4K	4K Passive HDCVI Balun
4K Camera Accessories, optional	PFA130-E	Junction Box (For use alone or with PFA152-E pole mount)
	PFA152-E	Pole Mount (For use with PFA130-E junction box)
	PFB204W	Wall Mount
	DH-PFM320D-015	12 VDC 2 A Power Adapter
	DH-PFM321D-US	12 VDC, 1 A Power Adapter
	DH-PFM800-4K	4K Passive HDCVI Balun
	HAP100	Pinhole Pickup
HAP200	High-fidelity Pickup	
HDCVI DVR Accessory, optional	PFH101	Rack Mount Tray

Camera Accessories

Optional:



PFA13A-E
Junction Box



PFA130-E
Junction Box



PFB204W
Wall Mount



PFA152-E
Pole Mount



DH-PFM320D-015
12 VDC, 2 A
Power Adapter



DH-PFM321D-US
12 VDC, 1 A
Power Adapter



DH-PFM800-4K
4K HDCVI Balun

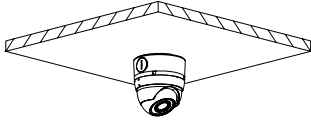
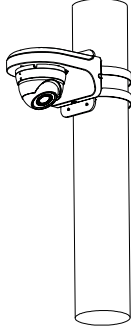
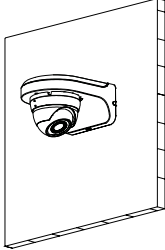


HAP100
Pinhole Pickup

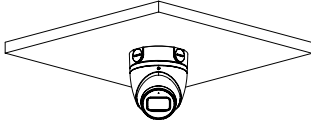
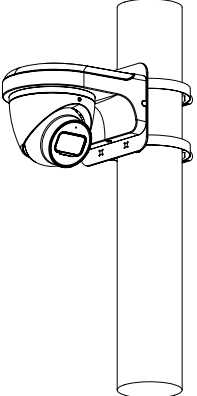
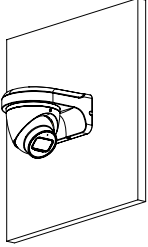


HAP200
High-fidelity Pickup

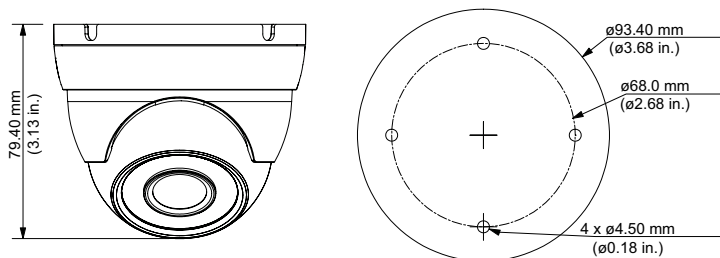
5 MP HDCVI Camera Installation

Junction Mount	Pole Mount
PFA13A-E	PFB204W + PFA152-E
	
Wall Mount	
PFB204W	
	

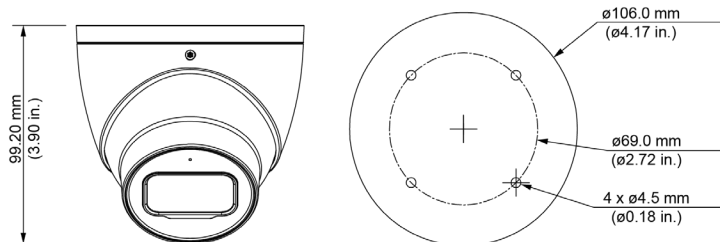
4K HDCVI Camera Installation

Junction Mount	Pole Mount
PFA130-E	PFB204W + PFA152-E
	
Wall Mount	
PFB204W	
	

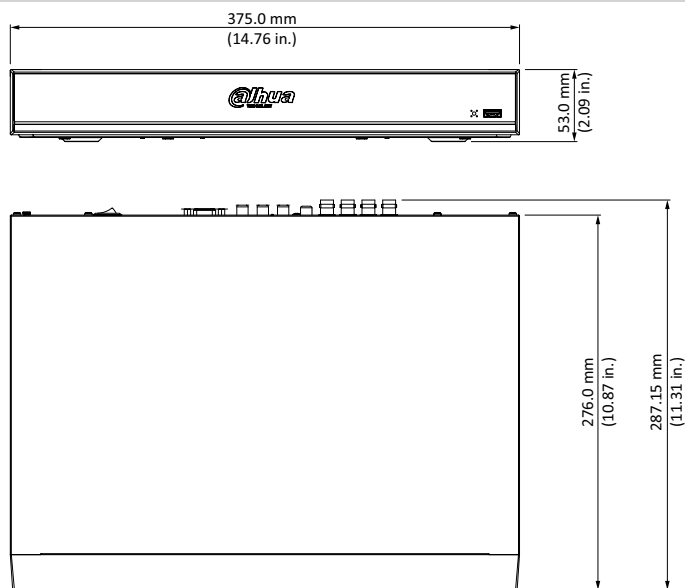
Dimensions (mm/in.) - 5 MP HDCVI Camera



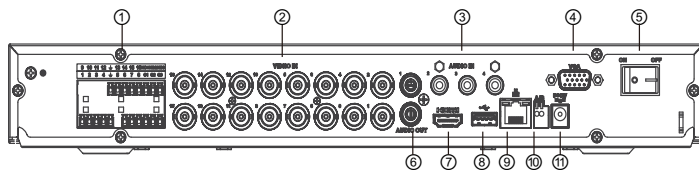
Dimensions (mm/in.) - 4K HDCVI Camera



Dimensions (mm/in.) - 4K HDCVI DVR



4K HDCVI DVR Rear Panel



1	Alarm IN/OUT	7	HDMI OUT
2	Video IN, BNC x 16	8	USB Port
3	Audio IN, RCA	9	Network Port
4	VGA OUT	10	RS485 Port
5	Power Switch	11	12 VDC Power IN
6	Audio OUT, RCA		