



ZLR-UHF-12

Long range proximity card reader

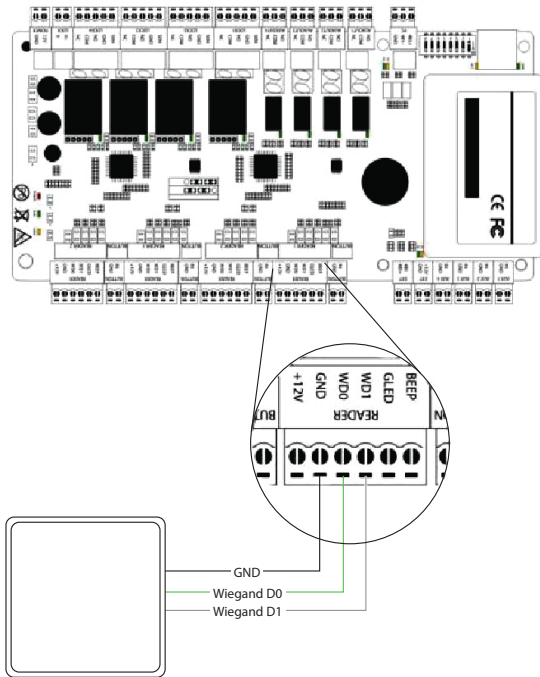


ZLR-UHF-12 is an outdoor IP66-rated long-range 900MHz proximity card reader designed specifically for ZKAccess proximity cards and stickers.

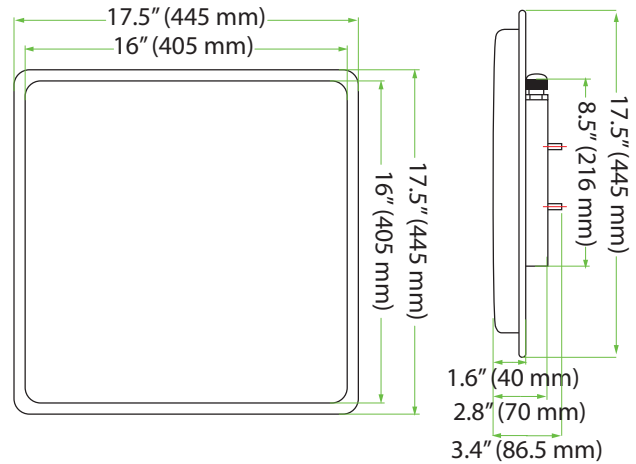
With its 40 feet read-range, ZLR-UHF-12 provides users convenient RFID authentication for many applications including door access, vehicular gate access and any application in which the user no longer needs to have their RFID credential held in close range to the RFID reader.

ZLR-UHF-12 has a built-in Wiegand-Out port which can be connected to most any access control panel (including ZKAccess C3 and InBio door controllers).

Configuration



Dimensions



Specifications

Technology	Proximity
Supported media	ZKAccess cards and stickers
Frequency	902Mhz – 928Mhz and 865MHz – 868MHz
Range	Up to 40 feet (12M)
Working mode	Always read(Default)/Trigger read
I/O Interface	Supports external trigger
Material	Die-casting aluminum shell, Antenna panel with engineering plastics
Color	White
Indoor & Outdoor Installation	Electronics sealed in weather resistant epoxy potting
Keypad	N/A
Communication Interface	Wiegand 26(Default) /Wiegand 34, USB
Power Supply	9 to 12V DC
Current	<3W (RF output 26dBm,multiple tags)
IP-rating	66
Operating Temperature	-4° F to 140° F / -20° C to + 60° C
Operating Humidity	15% to 90% relative humidity non-condensing
Dimensions (HxWxD)	17.5 x 17.5 x 2.8 inches (445 x 445 x 70 mm)
Certifications	FCC, CE

ZKTeco USA

1600 Union Hill Rd. Alpharetta, GA 30005
 Phone: (862) 505-2101 • Fax: (862) 204-5906 • sales@zktecousa.com • www.zktecousa.com

© Copyright 2016. ZKTeco Inc. ZKTeco Logo and ZKAccess Logo are registered trademarks of ZKTeco or a related company. All other product and company names mentioned are used for identification purposes only and may be the trademarks of their respective owners. All specifications are subject to change without notice. All rights reserved.

