

VESAADP VESA Adapter

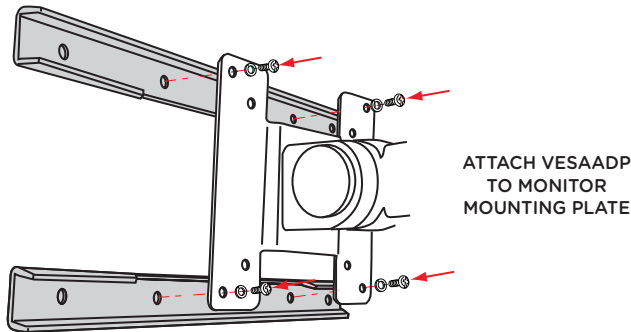


INFO:

- Converts VESA 100 monitor brackets to VESA 100 x 200

**Refer to the specifications of the monitor bracket that will be attached to the VESAADP for weight limits.*

ASSEMBLY:



SPECIFICATIONS:

Materials	Steel
Dimensions (W) x (H) x (D)	9.5" x 0.83" x 0.37" 241.3mm x 21.082mm x 9.398mm
Weight	.6 lb / 272.155g

