

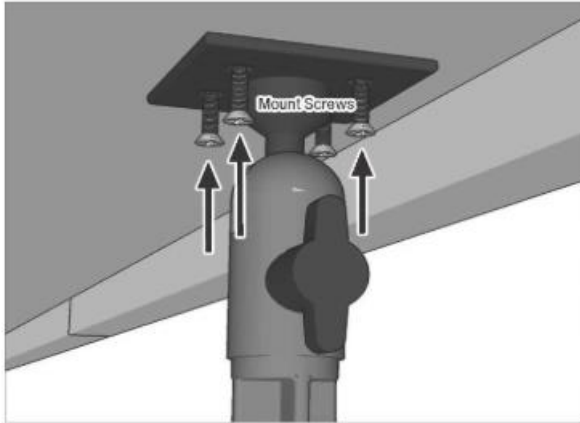




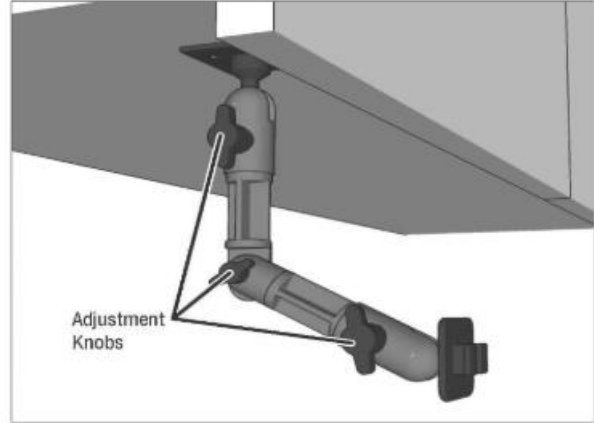




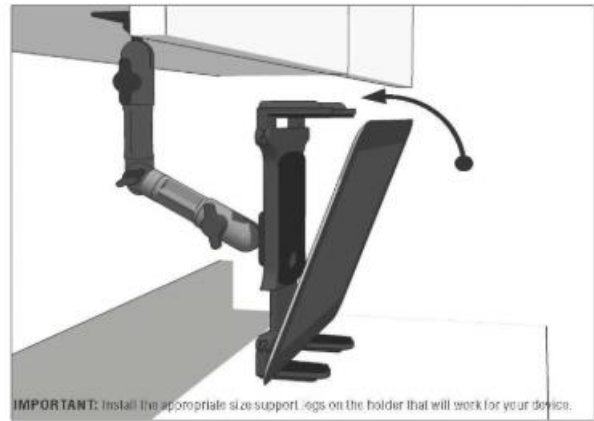
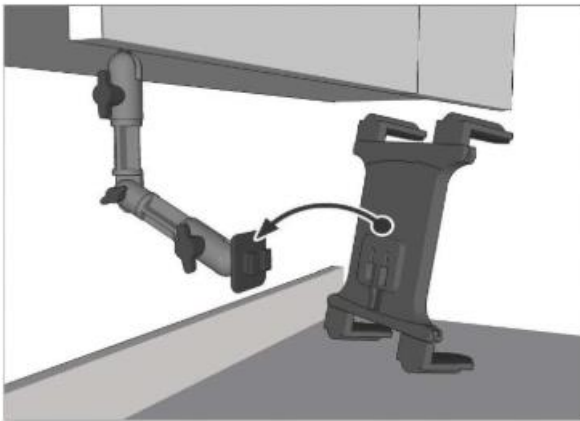
- 1 Screws of 2 lengths included. Use appropriate screws to secure mount to mounting surface. Use anchors if necessary.



- 2 Adjust mount to desired position via the adjustment knobs.



- 3 Attach the tablet holder to the mount and insert tablet.



**IMPORTANT:** Install the appropriate size support legs on the holder that will work for your device.