

# D4SO Series

Outdoor IP66 4" Low Cost Dome

**AV1115 / AV1115DN  
+ MPL33-12**

D4SO-AV1115-3312 (Color)  
D4SO-AV1115DN-3312 (Day/Night)

**AV2115 / AV2115DN  
+ MPL33-12**

D4SO-AV2115-3312 (Color)  
D4SO-AV2115DN-3312 (Day/Night)

**AV3115 / AV3115DN  
+ MPL33-12**

D4SO-AV3115-3312 (Color)  
D4SO-AV3115DN-3312 (Day/Night)

**AV5115 / AV5115DN  
+ MPL33-12**

D4SO-AV5115-3312 (Color)  
D4SO-AV5115DN-3312 (Day/Night)



The D4SO is an **Outdoor Solution**  
Designed to House Arecont Vision's  
Compact H.264 MegaVideo  
Megapixel Cameras with the  
MPL 33-12 Vari-Focal Lens

Available in **1.3, 1080p, 3 and 5MP**  
Resolutions

**IP66 and Vandal Resistant** Dome

**Arecont Vision Advantages:**

- IP66 Rating
- Vandal Resistant
- Superior Design Perfect for Outdoor Application
- Cost Efficiency Solution
- Easy Installation
- 2-axis Gimbal for Camera Positioning
- Heater (Optional)

### Model Numbers:

#### AV1115 / AV1115DN + MPL33-12

D4SO-AV1115-3312 (Color)  
 D4SO-AV1115DN-3312 (Day/Night)

#### AV2115 / AV2115DN + MPL33-12

D4SO-AV2115-3312 (Color)  
 D4SO-AV2115DN-3312 (Day/Night)

#### AV3115 / AV3115DN + MPL33-12

D4SO-AV3115-3312 (Color)  
 D4SO-AV3115DN-3312 (Day/Night)

#### AV5115 / AV5115DN + MPL33-12

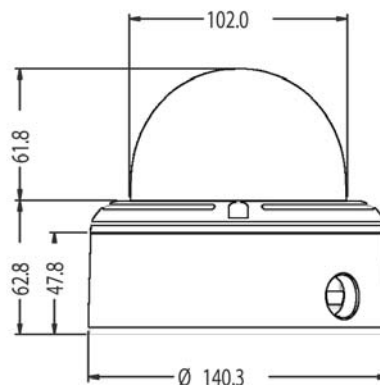
D4SO-AV5115-3312 (Color)  
 D4SO-AV5115DN-3312 (Day/Night)

### Mechanical

- Casing
  - Die-cast aluminum chassis with 4" polycarbonate dome bubble
  - IP66 weather proof standard
  - Vandal Resistant, IK10 rated
- Easily adjustable 2-axis camera gimbal w/ 360° pan, 90° tilt
- Total Unit dimensions:
  - Ø5.5 x 4.9 in (H), bubble only: Ø4.0 x 2.4 in (H)
  - Ø140.3 x 124.6 mm (H), bubble only: Ø102 x 61.8 mm (H)
- 2.0 lbs (0.91 kg)

### Accessories:

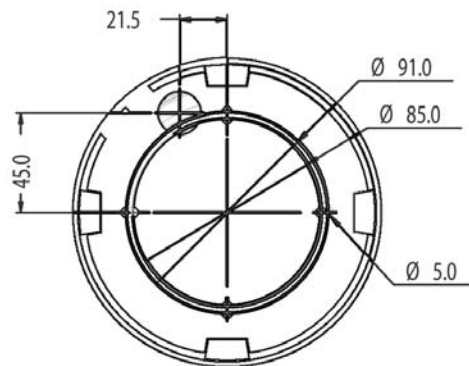
- MD-WMT2: Wall Mount (1.5 NTP)
- MD-CAP: Wall Mount Cap (1.5 NTP)
- MD-CMT: Pendant Mount
- MD-JBA: Junction Box Adapter for MegaDome® and MD-CMT
- MD-CRMA: Corner mount adapter
- MD-PMA: Pole mount adapter
- MD-EBA: Electrical box adapter for MegaDome® and MD-CMT
- MD-1HK: Optional 10W Heater Kit
- SV-EBA: Electrical Box Adapter for MD-WMT2
- SV-JBA: Junction Box Adapter for MD-WMT2 (for retrofit and on-site installation)



### Compatible Lens

- MPL33-12
- F1.6, 3.3-12mm, 1/2.5" optical format
- Horizontal FOV:

	AV1115	AV2115	AV3115	AV5115
3.3mm	61°	92°	75°	95°
12mm	21°	31°	25°	32°



### Compatible Cameras

- AV1115, AV1115DN, AV2115, AV2115DN, AV3115, AV3115DN, AV5115, AV5115DN

### Environmental

- Operating temperature:
  - No Heater: -20°C (-4 °F) to +50°C (122 °F)
  - With Heater: -40°C (-40 °F) to +50°C (122 °F)
- Storage temperature: -30 °C (-22 °F) to 60 °C (140 °F)
- Humidity 0% to 90% (non condensing)