

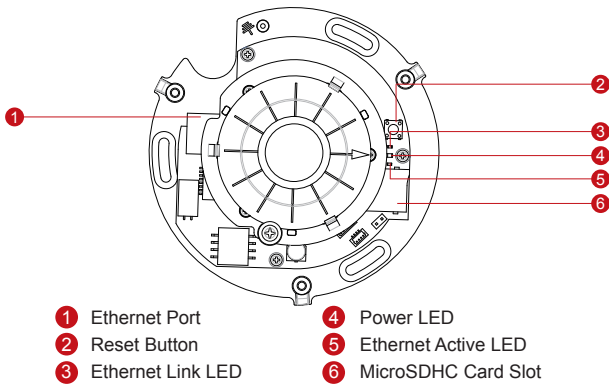
E96

5MP Indoor Mini Fisheye Dome with Basic WDR, Fixed lens

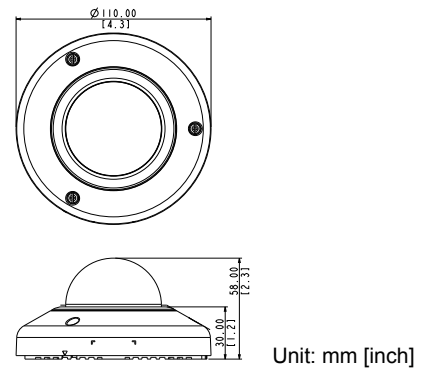


- 5 Megapixel
- Hemispheric Fisheye Lens with f1.19 mm/ F2.0
- Basic WDR
- 15 fps at 2592 x 1944
- Vandal Resistant (IK08)

PHOTO INDICATION



DIMENSION DIAGRAM



ACCESSORY OPTIONS

Dome Cover		
PDCX-1106		2-inch, smoke, non-vandal proof

PRODUCT SPECIFICATION

E96

• Device

Device Type	Indoor Mini Fisheye Dome
Image Sensor	Progressive Scan CMOS
Sensor Size	1/3.2"
Day / Night	No
Minimum Illumination	Color: 0.1 lux at F2.0 (30 IRE, 2400°K)
Mechanical IR Cut Filter	No
IR Sensitivity Range	No
IR LED	No
Electronic Shutter	1/5 ~ 1/2,000 sec (manual mode); 1/5 ~ 1/10,000 sec (auto mode)

• Lens

Focal Length / Aperture	Fixed focal, f1.19 mm / F2.0
Iris	Fixed iris
Focus	Fixed focus
Lens Mount	Board Mount
Horizontal Viewing Angle	180°
Viewing Angle Adjustment	Pan: ±90°; Tilt: 0° - 90°

• Video

Compression	H.264 HP, MJPEG
Maximum Frame Rate vs. Resolution	15 fps at 2592 x 1944; 15 fps at 2048 x 1536; 15 fps at 640 x 480
Mode	Fisheye View
Multi-Streaming	Simultaneous dual streams based on two configurations
Bit Rate	28 Kbps - 6 Mbps (per stream)
Bit Rate Mode	Constant, Variable
Image Enhancement	Basic WDR; White balance: automatic, hold, and manual; Brightness; Contrast; Sharpness(auto); Auto gain control; Digital noise reduction; Flickerless
Privacy Mask	4 configurable regions
Text Overlay	User defined text on video
Image Orientation	Image flip and mirror

• Network

Protocol & Service	TCP, UDP, HTTP, HTTPS, DHCP, PPPoE, RTP, RTSP, IPv6, DNS, DDNS, NTP, ICMP, ARP, IGMP, SMTP, FTP, UPnP, SNMP, Bonjour
Ethernet Port	1, Ethernet (10/100 Base-T), RJ-45 connector
Security	IP address filtering; HTTPS encryption; Password protected user levels; Anonymous login; IEEE 802.1X network access control

• Alarm

Alarm Trigger	Video motion detection (3 regions)
Alarm Response	Notify control center; Change camera settings; Command other devices; E-mail notification with snapshots; Save video or snapshot to local storage; Upload video, snapshot to FTP

• Interface

Local Storage	MicroSDHC memory card slot (card not included)
---------------	--

• General

Power Source / Consumption	PoE Class 1 (IEEE802.3af) / 2.91W
Weight	221 g (0.49 lb)
Dimensions (Ø x H)	110 mm x 58 mm (4.3" x 2.3")
Environmental Casing	Vandal Resistant (IK08); Transparent dome cover
Mount Type	Surface, Gang Box
Starting Temperature	-10°C ~ 50°C (14°F ~ 122°F)
Operating Temperature	-10°C ~ 50°C (14°F ~ 122°F)
Operating Humidity	10% ~ 85% RH
Approvals	CE (EN 55022 Class B, EN 55024), FCC (Part15 Subpart B Class B), IK08

• Integration

Unified Solution	Fully compatible with ACTi software
ISV Integration	Software Development Kit (SDK) available ; ONVIF compliant
Firmware Access Browser	Microsoft Internet Explorer 8.0 or newer (full functionality); Other browsers with VLC installed (partial functionality)