

2MP Fixed Dome Network Camera

IPC3612ER3-PF28 (40) (60) M-B



Key Features

Optics

- Day/night functionality
- 3D DNR (Digital Noise Reduction)
- Smart IR, up to 30 m (98 ft) IR distance

Compression

- H.265, H.264, MJPEG
- Embedded smart algorithm
- Triple streams
- 9:16 corridor format

Network

- ONVIF Conformance

Structure

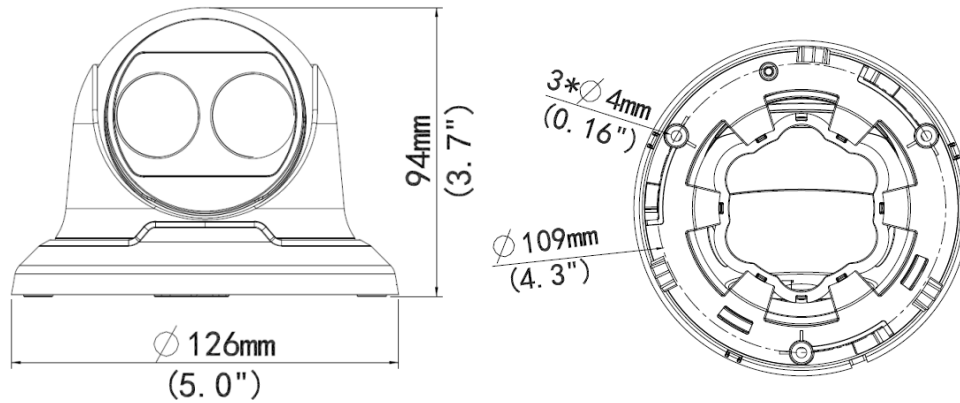
- Wide temperature range: -35°C to 60°C (-31°F to 140°F)
- Wide voltage range of $\pm 25\%$
- 4 KV surge protection designed for network interface

- IP66

Specifications

Camera	IPC3612ER3-PF28M-B	IPC3612ER3-PF40M-B	IPC3612ER3-PF60M-B
Sensor	1/2.7", 2 megapixel, progressive scan, CMOS		
Lens	2.8mm@F1.8 Angle of view(H): 112.5°	4.0mm@F1.8 Angle of view(H): 92.1°	6mm@F1.8 Angle of view(H): 56.7°
Min. Illumination	Colour: 0.02 Lux (F1.8, AGC ON) 0 Lux with IR		
Shutter	Auto/Manual, 1/6~1/8000 s		
Day/Night	IR-cut filter with auto switch (ICR)		
IR	30m (98 ft) IR range		
AWB(Auto white balance)	Auto/manual		
Gain Control	Auto/manual		
Noise Reduction	2D/3D		
Video			
Max. Resolution	1920×1080		
Video Compression	H.265, H.264, MJPEG		
Frame Rate	1080P (1920×1080): Max. 30 fps; 720P (1280×720): Max. 30 fps; D1 (720×576): Max. 25 fps		
Video Streaming	Triple		
OSD	Up to 8 OSDs		
9:16 Corridor Mode	Supported		
Motion Detection	Up to 2 areas		
Privacy Mask	Up to 8 areas		
Smart			
Behavior Detection	Intrusion, crossing line, motion detection		
Intelligent Identification	Face detection		
Statistical Analysis	People counting		
Network			
Protocols	L2TP, IPv4, IGMP, ICMP, ARP, TCP, UDP, DHCP, PPPoE, RTP, RTSP, RTCP, DNS, DDNS, NTP, FTP, UPnP, HTTP, HTTPS, SMTP, SIP, 802.1x		
Compatible Integration	ONVIF, API		
Interface			
Network	10M/100M Base-TX Ethernet		
General			
Power	12 V DC, or PoE (IEEE802.3 af)		
	Power consumption: Max 5.5 W		
Dimensions (Ø x H)	Ø126 x 94 mm (Ø5.0" x 3.7")		
Weight	0.45 kg (0.99 lb)		
Operating Conditions	-35°C ~ +60°C (-31°F ~ 140°F), Humidity ≤ 95% RH(non-condensing)		
Ingress Protection	IP66		

Dimensions

**Zhejiang Uniview Technologies Co.,Ltd.**

South Tower, Building 10, Wanlun Science Park, 88 Jiangling Road, Hangzhou, P.R.China 310051

Email: overseasbusiness@uniview.com; globalsupport@uniview.com

<http://www.uniview.com>

©2016 Zhejiang Uniview Technologies Co.,Ltd. All rights reserved.

*Product specifications and availability are subject to change without notice.