

CCTV DOME CAMERA

HERO

FEATURES

- 1/3 INCH SONY DS CCD
- High Resolution (650 TVL) / High Sensitivity
- Upgraded Waterproof Housing (IP68 rating)
- 0,3Lux at F1.2 (Color) / 0,005Lux (Sense up x256)
- WDR (Wide Dynamic Range) Function
- OSD Controlled / Ture Day & Night (ICR) / 3DDNR / HLM
- Motion (240 Zone) / Privacy / Easy Installation / 3Axis
- DC Auto IRIS V/F Lens 2,8~12mm
- DC Auto IRIS & TDN V/F Lens 2,8~12mm



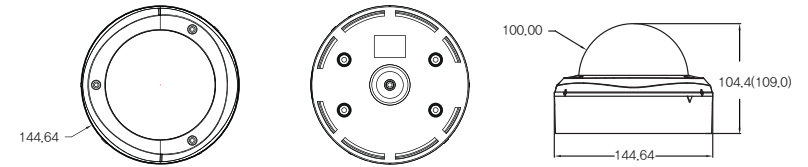
SPECIFICATION

MODEL	NTSC	PAL
Resolution	650 TV Line	
Sensor	1/3 INCH SONY DS CCD	
Total Pixels	811(H) x 508(V) 410K pixels	795(H) x 595(V) 470K pixels
Effective Pixels	768(H) x 494(V) 380K pixels	752(H) x 582(V) 440K pixels
Scanning System	2:1 Interlace	
S/N (Y signal)	More than 52 dB (AGC Off)	
Frequency	Horizontal: 15,734KHz / Vertical: 59,94Hz	Horizontal: 15,625KHz / Vertical: 50,00Hz
Video Output	CVBS: 1,0Vp-p / 75ohm	
Min.Illumination	0,3Lux at F1.2 (Color) / 0,005Lux (Sense up x256)	
White Balance	ATW / AWC / PUSH/ MANUAL Adjustable	
Electronic shutter speed	AUTO / MANUAL (1/60sec ~ 1/100,000sec)	AUTO / MANUAL (1/50sec ~ 1/100,000sec)
WDR (Wide Dynamic Range)	AUTO, OFF Selectable	
O,S,D	Built-in	
Backlight Compensation	BLC (LOW, MIDDLE, HIGH, OFF Selectable) / HLM (Adjustable)	
AGC (Auto Gain Control)	LOW, MIDDLE, HIGH, OFF Selectable	
3DDNR (3D Digital Noise Reduction)	LOW, MIDDLE, HIGH, OFF	
Day & Night	AUTO (Day (→) Night time Change) , CDS , COLOR , B/W	
PRIVACY	OFF / ON (6 Zone)	
Motion Detection	OFF / ON (240 Zone)	
Image Conversion	FREEZE / V-FLIP / H-FLIP / ROTATE / NEGA : All ON / OFF Adjustable	
DIS(Digital Image Stabilizer)	ON / Off	
LSC (Lens Shading Compensation)	ON / Off	
Digital Zoom	ON (x1~ 10) / Off	
SHARPNESS	ADJUSTABLE	
Operating Temperature/ Humidity	-10°C ~ +40°C / 30% ~ 80% RH	
Storage Temperature/ Humidity	-20°C ~ +60°C / 20% ~ 90% RH	
Power	DC12V [AC24V / DC12V DualPower (option)]	

► Above specifications may be changed without any notice.

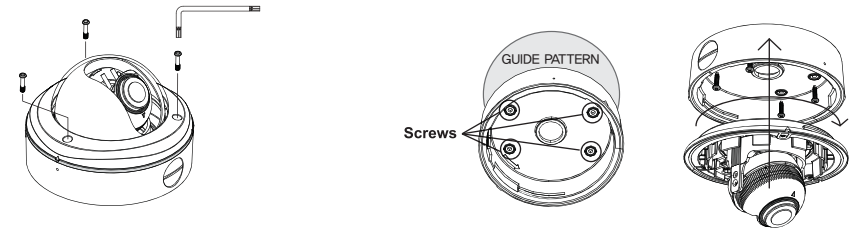
VANDAL-PROOF DOME CAMERA

DIMENSION

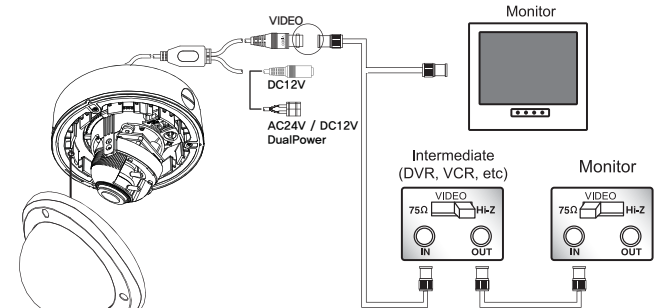


INSTALLATION

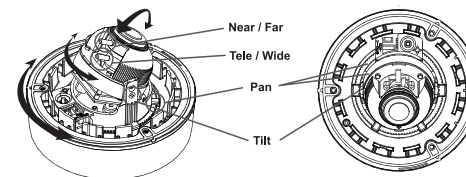
1. Opening
Use the allen wrench to open the cover.
2. Place the camera in the desired location and install using the screws supplied.



3. Connecting Cables



4. Pan / Tilt (3Axis) Controls.



5. Use the allen wrench to close the cover.

