

FEATURES

1/3 INCH SONY CMOS
 HD-SDI (1080P, 720P) / High Resolution (1000 TV Line OVER)
 HD-SDI (High Definition Serial Digital Interface) / 0 Lux at IR On (IR LED 80pcs)
 Upgraded Waterproof Housing (IP68 rating) / OSD Controlled
 WDR (Wide Dynamic Range) / True Day & Night(ICR)
 DNR (Digital Noise Reduction) / Motion / Privacy / Easy Installation
 DC Auto IRIS & TDN V/F Lens 2.8~12mm

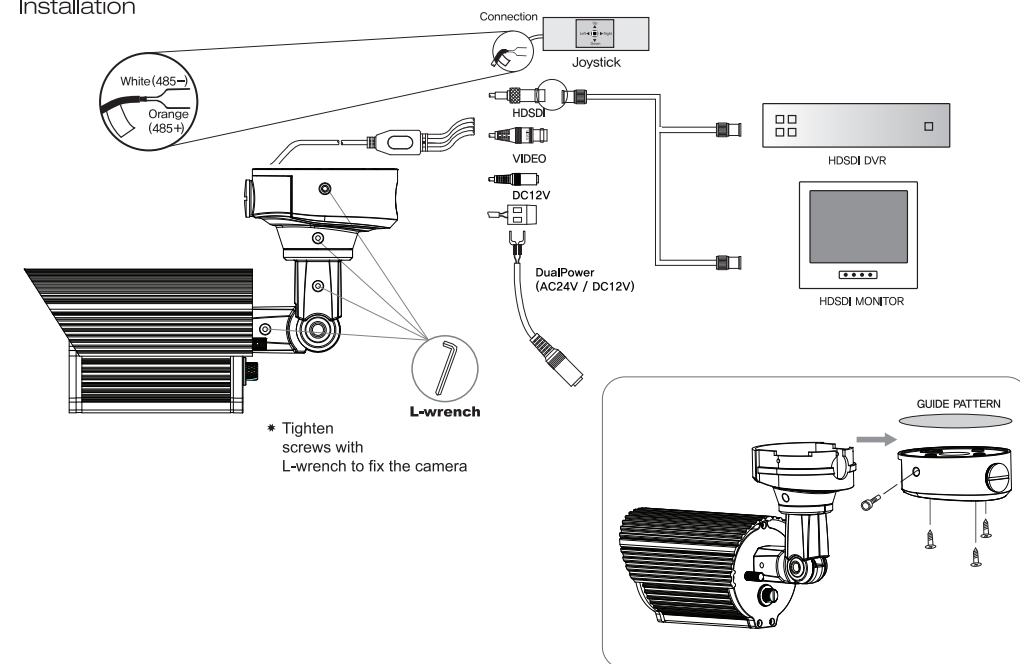


SPECIFICATION

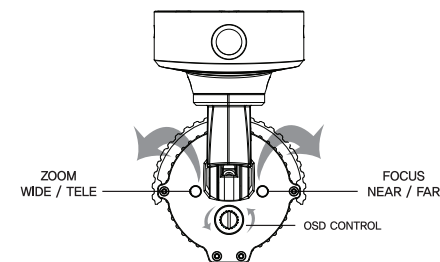
Resolution	HD-SDI(1080P, 720P) / 1000 TV LINE OVER
Sensor	1/3 INCH SONY CMOS
Total Pixels	2010(H) X 1108(V) = 2,227,080
Effective Pixels	1944(H) X 1092(V) = 2,122,648
Scanning System	PROGRESSIVE
S/N (Y signal)	More than 52 dB (AGC Off)
Video Output	SMPTE292M (HD-SDI) / CVBS: 1.0Vp-p (75ohm)
Min.Illumination	0 Lux at IR On
White Balance	AUTO / AUTO EXT / PUSHING / MANUAL
Electronic shutter speed	Auto / Manual (1/30sec ~ 1/30,000sec)
Brightness	ADJUSTABLE (0 ~ 20 STEP)
SENS_UP	OFF / X2 / X3 / X4
DNR	OFF / LOW / MIDDLE / HI
WDR/BLC	OFF / WDR / BLC
HLM	OFF / SET
ACE	OFF / ON
Day & Night	Auto (Day ←→ Night TIME Change) , COLOR , B/W
Privacy	OFF / ON (28 Zone)
Motion Detection	OFF / ON
D.ZOOM	0 ~ X12
FLIP	OFF / ON
FREEZE	OFF / ON
Language	ENGLISH
Sharpness	ADJUSTABLE (0 ~ 10 STEP)
Mirror	ON / Off
COMM.	RS-485(PELCO-D)
Operating Temperature/Humidity	-10°C~+50°C / 30%~80% RH
Storage Temperature/Humidity	-20°C~+60°C / 20%~90% RH
Power	DC12V ±10% Only / DC12V · AC24V ±10% DualPower (option)
Distance	100 ~ 150m
Transmission range	Max transmission range is depends on the cable manufacturer and the installation environment.

► Above specifications may be changed without any notice.

Installation



External Focus control



Pan & Tilt control

